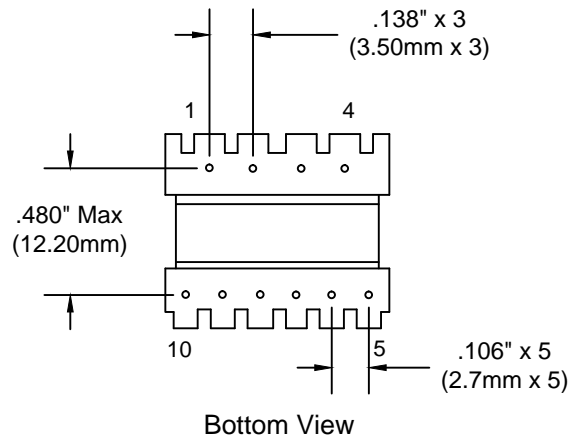
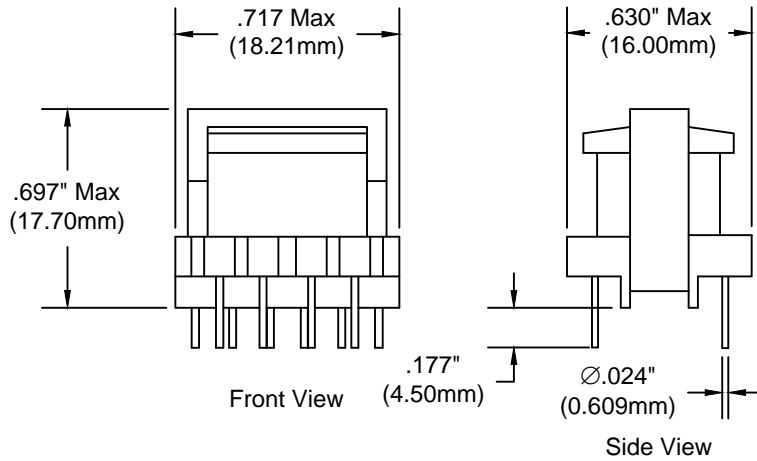


- SWITCHMODE THRU-HOLE TRANSFORMER DESIGNED FOR USE WITH POWER INTEGRATIONS TNY253 TINYSWITCH APPLICATION.
- PER EN60950, >5.0mm.
- 2.0W MAXIMUM.

REVISIONS			
DATE	REV	DESCRIPTION	APPV'D
11/17/2015	-1	Corrected length and pin diameter, were 18.2mm & .6mm	Tjk



Electrical Specifications:

Turns Ratio Pri : Sec #1 : Sec #2 = 1 : 0.068 : 0.068

DC Resistance Pri: 4.904 - 7.356 Ω

DC Resistance Each Sec: 0.080 - 0.120 Ω

Ls (3 - 4) : 5.45 mH +/- 10% @ 10 KHz

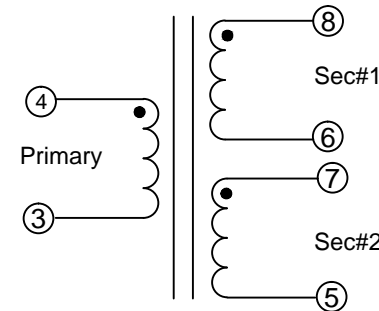
Leakage Inductance (3 - 4) : 180 μ H Max @ 100 KHz Secondary windings shorted

Dielectric Strength : 4000 Vrms Pri-Sec

Bobbin Material : UL 94-V0

Pri-Sec Creepage Distance Per EN60950 >5.0mm;

Reinforced Insulation; 250Vrms working voltage



PREM
MAGNETICS INCORPORATED

CUSTOM ENGINEERED MAGNETIC COMPONENTS
Johnsburg, Illinois
3521 N.CHAPEL HILL RD. / JOHNSBURG, ILLINOIS 60051

SCALE : 1 : 2.25

APPROVED BY :

DRAWN BY : G.G.

DATE : 02/26/03

Gary Garcia

REVISED :

Universal Ac to Dc Converter Transformer p/n SPP-3001

Designed for Tny253 Chip up to 2.0W; Ac: 85 - 265Vac, 2 DC outputs from 3.3Vdc up to 6Vdc or 1 DC output from 6Vdc up to 12Vdc

DRAWING NUMBER
A-3001-1